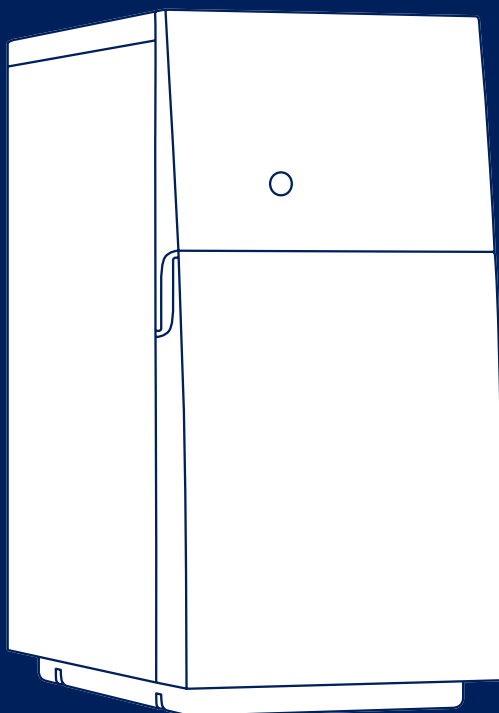


Applies only to products with serial number 1845-01001 and later

SPARE PARTS, CONSUMABLES, AND ACCESSORIES CATALOG



BLUEWATER PRO WATER PURIFIER



TABLE OF CONTENTS

INTRODUCTION	3
MODELS	3
COMPONENTS	4
SPARE PARTS	9
ACCESSORIES	11
CONSUMABLES	11
KITS	12
ORDER	13
DISCLAIMER	13

This manual is made to be printed as a double-sided A4 or A5 booklet.

INTRODUCTION

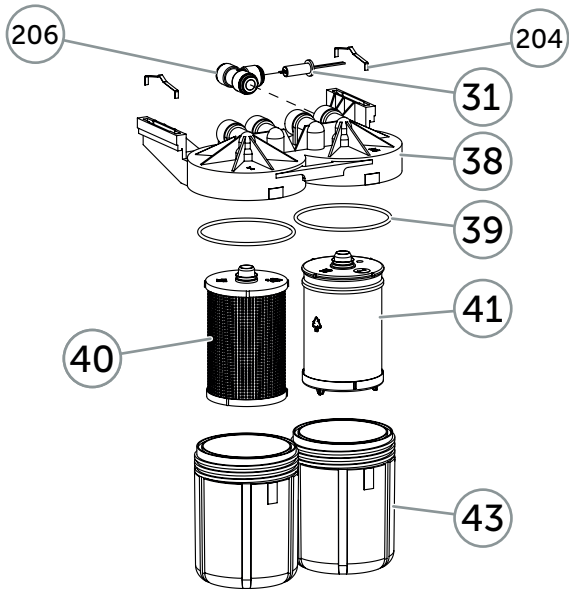
The Bluewater Pro water purifier is designed to turn your tap water into healthier drinking water. Innovated with love in Sweden, Bluewater's SuperiorOsmosis™ technology improves quality of life, health and wellbeing by removing practically all contamination, including microorganisms, pesticides, heavy metals and toxins.

Regular maintenance, genuine spare parts and consumables assure the performance and lifespan of your product. To eliminate mistakes, when ordering spare parts, always start by identifying your model name and product number and use them to determine the correct spare part number.

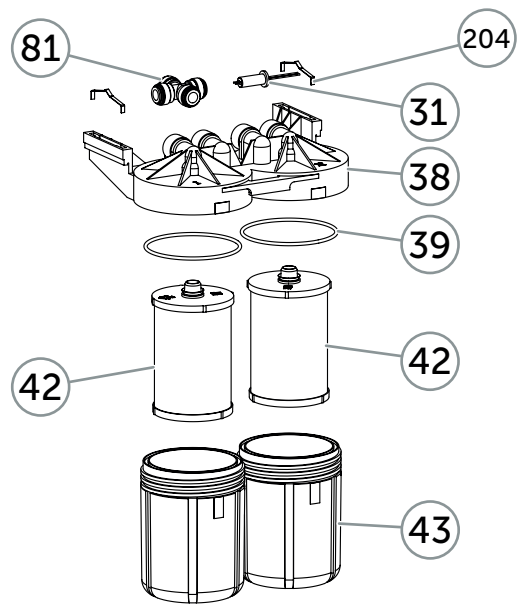
Please note that this catalog is updated regularly, which means the spare part numbers will also change regularly. You can always find the latest edition of this document at www.bluewatergroup.com

MODELS

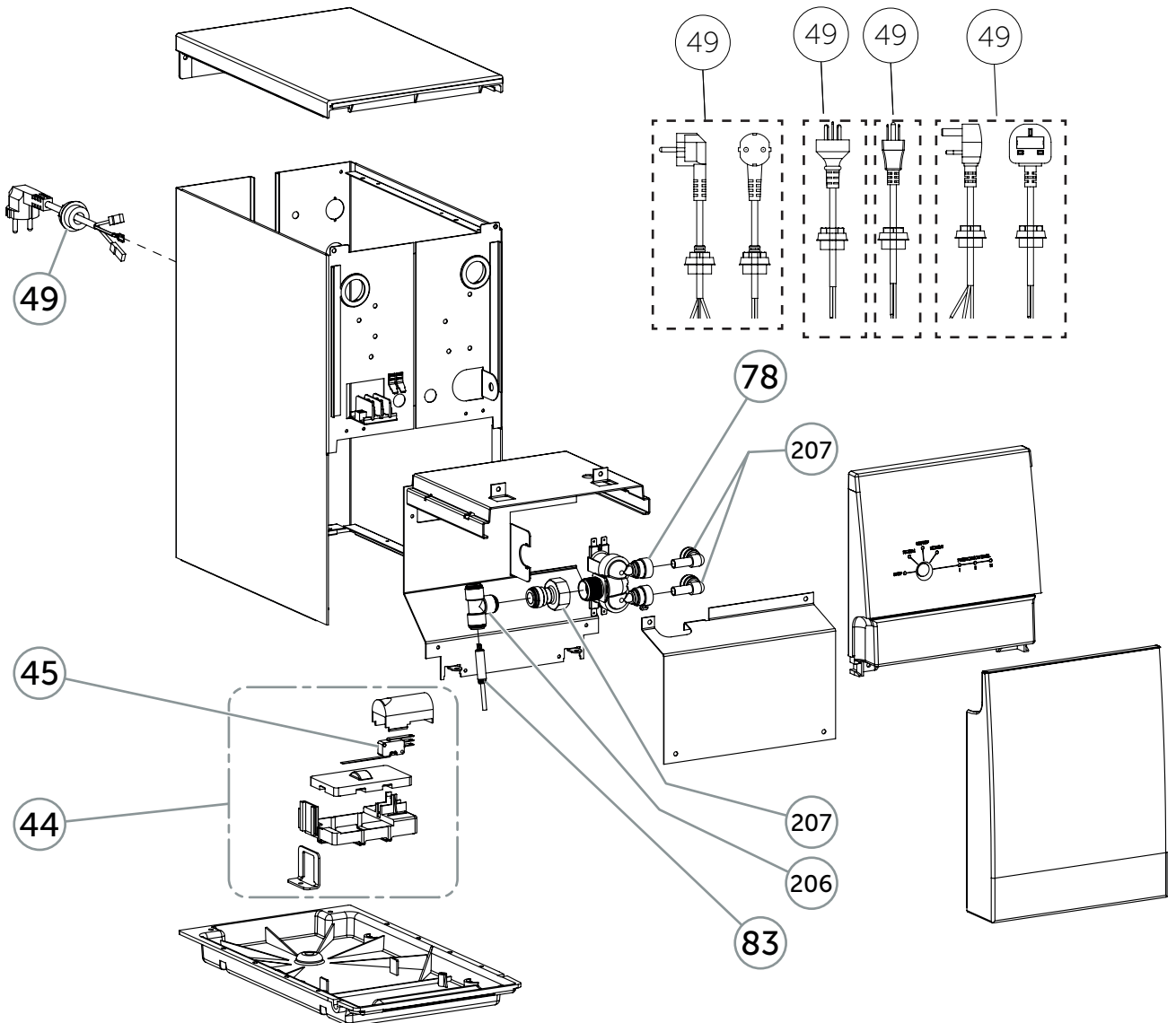
Model	Product no.	Model range	Membrane	Reference
Bluewater Pro 600C-HF China	919240143	Pro 600 series	HF	B
Bluewater Pro 400C-HF China	919240144	Pro 400 series	HF	A
Bluewater Pro 400BCV-HR China	919240145	Pro 400 series	HR	C
Bluewater Pro 400CV-HR EU	919240165	Pro 400 series	HR	A
Bluewater Pro 400C-HF EU	919240166	Pro 400 series	HF	A
Bluewater Pro 400C-HR EU	919240167	Pro 400 series	HR	A
Bluewater Pro 400BCV-HR EU	919240168	Pro 400 series	HR	C
Bluewater Pro 400BC-HR EU	919240169	Pro 400 series	HR	C
Pro 600C-HF UK HOB	919240172	Pro 600 series	HF	B
Pro 600C-HF EU HOB	919240173	Pro 600 series	HF	B
Pro 600C-HF EU HOB	919240174	Pro 600 series	HF	B
Bluewater Pro 600C-HF EU	919240175	Pro 600 series	HF	B
Bluewater Pro 600CV-HR EU	919240176	Pro 600 series	HR	B
Pro 600C-HF UK HOB	919240177	Pro 600 series	HF	B
Bluewater Pro 400C-HF UK	919240185	Pro 400 series	HF	A
Bluewater Pro 400C-HF Korea	919240186	Pro 400 series	HF	A
Pro 400C-HF EU DW	919240194	Pro 400 series	HF	D
Bluewater Pro 600C-HF (New Pump)	919240146	Pro 600 series	HF	
Bluewater Pro 400C-HF (New Pump)	919240147	Pro 400 series	HF	
Bluewater Pro 400BCV-HR (New Pump)	919240148	Pro 400 series	HR	
Bluewater Pro 400C-HF (New Pump)	919240156	Pro 400 series	HF	
Bluewater Pro 400BC-HR (New Pump)	919240157	Pro 400 series	HR	
Bluewater Pro 400CV-HR (New Pump)	919240158	Pro 400 series	HR	
Bluewater Pro 400C-HF (New Pump)	919240159	Pro 400 series	HF	
Bluewater Pro 600C-HF (New Pump)	919240178	Pro 600 series	HF	
Bluewater Pro 600CV-HR (New Pump)	919240179	Pro 600 series	HR	
Bluewater Pro 600C-HF (New Pump)	919240189	Pro 600 series	HF	
Bluewater Pro 400CV-HR (New Pump)	919240195	Pro 400 series	HR	
Bluewater Pro 400C-HF (New Pump)	919240196	Pro 400 series	HF	
Bluewater Pro 400C-HR (New Pump)	919240197	Pro 400 series	HR	
Bluewater Pro 400BCV-HR (New Pump)	919240198	Pro 400 series	HR	
Bluewater Pro 400BC-HR (New Pump)	919240199	Pro 400 series	HR	
Bluewater Pro Demo BW Grey	919240990	Pro Display unit	-	

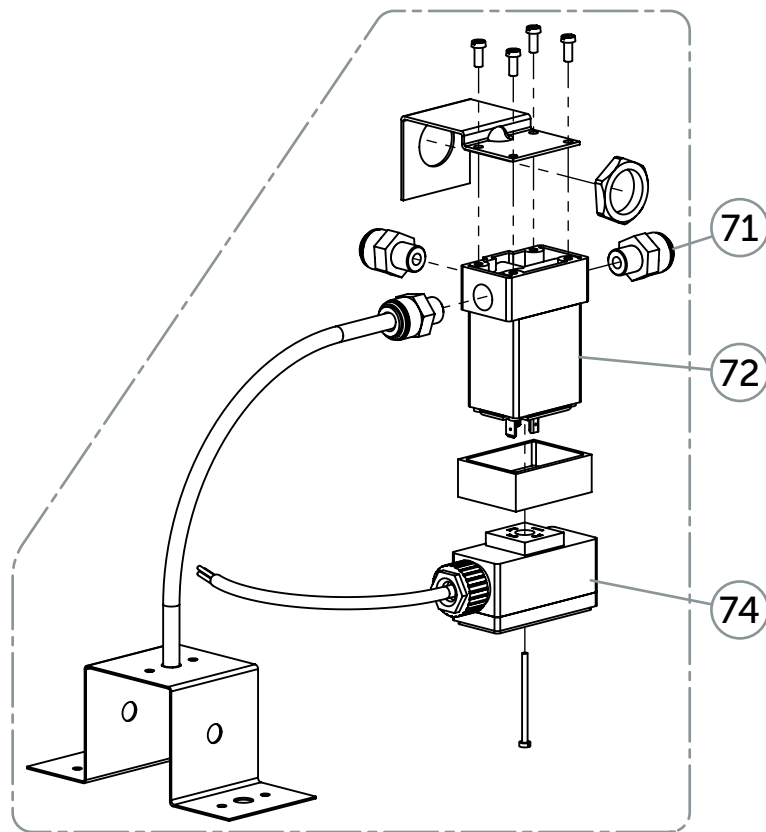
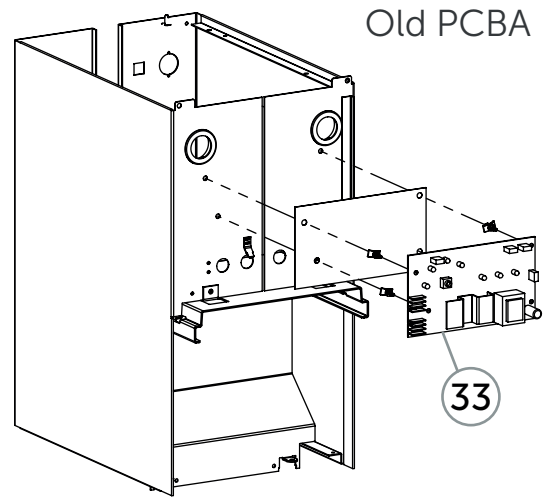


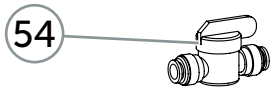
PRO 400-series



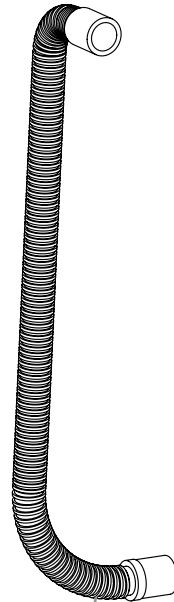
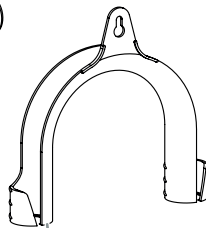
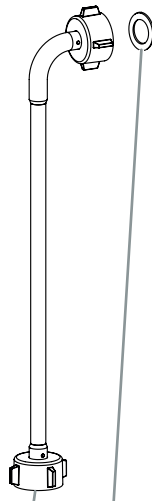
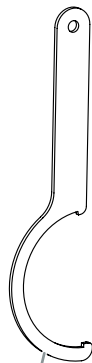
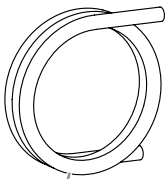
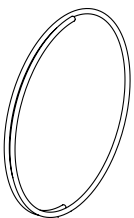
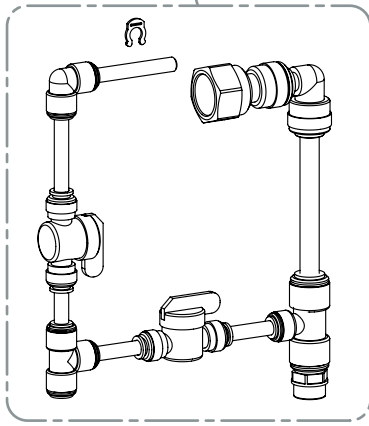
PRO 600-series







57



12

59

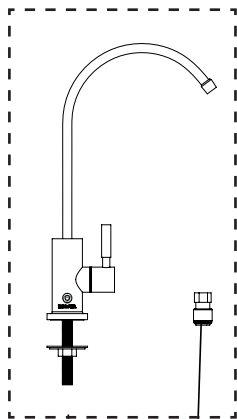
67

62

202

64

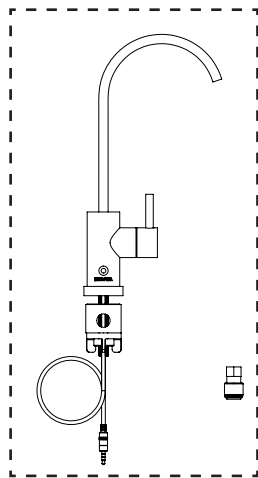
65



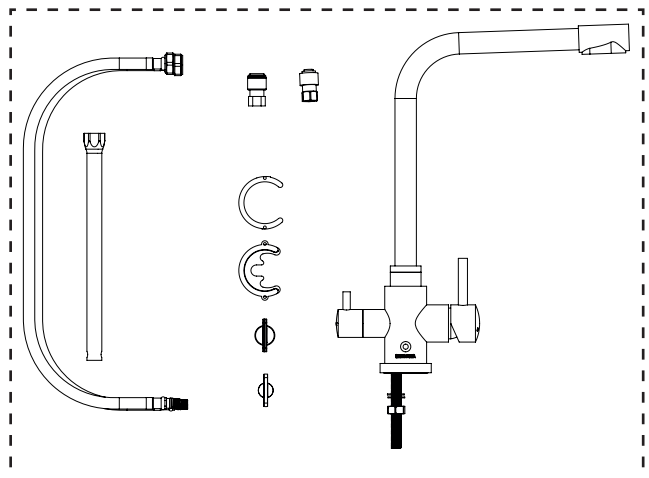
56



66



56



56

SPARE PARTS

Pos	Spare part no.	Description	Reference	Units in box (pcs)
1	150701200-SP	Pressure vessel, PRO-series	All models	1
4	150718900-SP	Membrane service kit PRO-series, High Rejection (HR)	All models with membrane HR	1
4	150718901-SP	Membrane service kit PRO-series, High Flow (HF)	All models with membrane HF	1
4	150718902-SP	Membrane service kit PRO-series, Brackish (B)	B-HR	1
6	150736301-SP	Pump service kit, PRO400-series (not B-version)	Ref A and C	1
6	150736302-SP	Pump service kit, PRO400-series, B/BCV-versions	Ref D and E	1
6	150798301-SP	Pump service kit, PRO600-series	Ref B	1
6	155093100-SP	Pump service kit, PRO400-series (stainless steel)	PRO 400 Stainless steel	1
6	155093102-SP	Pump service kit, PRO600-series (stainless steel)	PRO 600 Stainless steel	1
9	150727380-SP	Pressure regulating valve, PRO-series	All models	1
11	150704701-SP	Valve drain, 120V, PRO400-series	US All models	1
11	150704703-SP	Valve drain, 230V, PRO400-series	Pro 400-series	1
11	150704704-SP	Valve drain, 230V, PRO600-series	Pro 600-series	1
12	150702181-SP	Hose reel, 1/4" x 2 m	All models	1
13	150750000-SP	Pressure sensor, PRO-series	All models	1
16	155016701-SP	Driving wheel kit, pump, PRO-series	All models	5
18	150721800-SP	Dust protection foil	All models	10
19	150708300-SP	Driving belt, PRO-series	All models	10
20	155008601-SP	Driving wheel motor, PRO-series, from year 2009 serial no 91300000 (for motor shaft with slot)	All models	5
20	155013500-SP	Driving wheel motor, PRO-series, up to year 2009, serial no 91299999 (2 pcs M4x4 included)	Old All non US models	5
20	155023000-SP	Driving wheel motor, PRO-series, from year 2009 serial no 91300000, US only (motor shaft with slot)	US All models	5
21	155022300-SP	Holder motor complete, PRO-series	All models	1
22	155029500-SP	Capacitor, 16 µF, PRO400-series	Pro 400-series	5
22	155029501-SP	Capacitor, 18 µF, PRO600-series	Pro 600-series	5
	150731800-SP	Capacitor, 60 µF for 120V, PRO-series	US All models	5
25	150729301-SP	Motor 120V/500W, with pulley, PRO400-series	US All models	1
25	150729384-SP	Motor 230V/690W, with pulley, PRO600-series	Pro 600-series	1
25	150729385-SP	Motor 230V/500W, with pulley, PRO400-series	Pro 400-series	1
27	150731100-SP	Plug, plastic, G1/8, PRO-series	All models	10
29	150717100-SP	Nut plastic for pure water outlet	All models	10
30	150715880-SP	Check valve and accumulator kit	All models	1
31	160796601-SP	Conductivity sensor, dual sensor	All models	1
31	150746300-SP	Conductivity sensor, PRO-series, single sensor	All models	10
33	155006504-SP	Circuit board 230V, PRO-series, C-versions	Old C-HF, C-HR, CV-HR	1
33	155007201-SP	Circuit board 120V, PRO-series, C-versions	Old US C-HF, CV-HR	1
33	155007401-SP	Circuit board 230V, PRO-series, BC-versions	Old BCV-HR, BC-HR	1
33	155007402-SP	Circuit board 230V, PRO-series, B-versions	Old B-HR	1
34	150796801-SP	Valve, inlet, 120V, PRO400-series	US All models from serial number 171803001	1
34	150796802-SP	Valve, inlet, 230V, PRO400-series	Pro 400-series	1
34	150707684-SP	Valve, inlet, 230V, PRO600-series	Pro 600-series	1
35	150798400-SP	Stem joint connector, 3/8"	All models	5
36	150797000-SP	Quick connector, two way equal divider, hose 3/8"	Pro 600-series	5
36	150764900-SP	Quick connector, equal straight, hose 3/8"	Pro 400-series	5
38	150718180-SP	Lid, prefilter, PRO400-series	Old All models before serial number 171803001	1
38	150718101-SP	Lid, prefilter, quick connectors, with barbed adapter	All models	1
39	150707025-SP	O-ring, 84.5x3.0	All models	20

Pos	Spare part no.	Description	Reference	Units in box (pcs)
43	150700300-SP	Filter container, PRO-series	All models	5
44	155021900-SP	Leakage detection kit, PRO-series	All models	1
45	155004801-SP	Microswitch leakage detection	All models	1
49	160724001-SP	Cord set complete, European plug, PRO-series	All models - European power plug	1
49	160724002-SP	Cord set complete, Chinese plug, PRO-series	All models - Chinese power plug	1
49	160724004-SP	Cord set complete, UK plug, PRO-series	All models - UK power plug	1
49	160724003-SP	Cord set complete, US plug, PRO-series	All models - US power plug	1
54	155014300-SP	Shut-off valve, hose 3/8"	All models - Installation	1
55	155016601-SP	Adaptor, stem 3/8" to male G3/4"	All models - Installation	10
57	155007501-SP	By-pass kit	Accessory	1
59	150710085-SP	Hose PE 3/8" 2m (6.6 ft)	All models - Installation	1
59	150710091-SP	Hose PE 3/8" 10m (33ft)	All models - Installation	1
62	155010001-SP	Hose, inlet, PEX, 12x2	All models - Installation	5
64	150790300-SP	Holder drain hose	All models - Installation	10
65	150736600-SP	Drain hose, PRO-series	All models - Installation	10
66	150736500-SP	Quick connector tap 7/16" to hose 3/8"	Accessory	5
67	150704500-SP	Filter wrench	All models - Installation	10
71	150733400-SP	Quick connector, male G1/4" to hose 3/8"	Old US CV/BCV-models	5
72	155006700-SP	Valve, for rinse function, 230V, PRO-series, CV/BCV-versions	Old CV/BCV models	1
74	150735300-SP	Timerhead, PRO-series, 100-240V, CV/BCV-versions	Old CV/BCV-models	1
76	155039011-SP	Electronic box with Main board, C/CV-versions (SW Variant 11)	Ref A and B	1
76	155039014-SP	Electronic box with Main board, BC/BCV-versions (SW Variant 14)	Ref C	1
76	155039015-SP	Electronic box with Main board, BC US-versions (SW Variant 15)	US BC-HR	1
78	155060300-SP	Valve, for rinse function, 230V, PRO-series, CV/BCV-versions	CV/BCV-models	1
78	155060301-SP	Valve, for rinse function, 120V, PRO-series, CV-versions	US CV/BCV	1
79	155041900-SP	Drop protector Electronic box	All models	10
80	155031300-SP	HMI Display board	All models	1
81	155041800-SP	Quick connector equal cross 3/8"	Pro 600-series	5
82	155014400-SP	Quick connector check valve 3/8"	CV/BCV-models	5
83	155036000-SP	Temperature sensor	Ref C	10
84	150707002-SP	O-ring for Plug 6,1x1,6	All models	1
85	150707005-SP	O-ring for Membrane top piece plug 14,1x1,6	All models	1
200	155030800-SP	Driving system kit, Pro-series, from 2009 serial no 91300000 (not for US; motor shaft with slot)	All models	1
200	155030900-SP	Driving system kit, Pro-series, from 2009 serial no 91300000, for US only (motor shaft with slot)	US All models	1
202	155026900-SP	O-ring and gasket kit, Pro (SET 1)	All models - Kit	1
204	155027100-SP	Fixtures, Pro (SET 1)	All models - Kit	1
206	155054700-SP	Quick connector kit, Pro	All models - Kit	1
207	155054800-SP	Quick connector kit CV unique, Pro	CV/BCV-models - Kit	1

ACCESSORIES

Pos	Consumable no.	Description	Reference	Units in box (pcs)
56	919240945	Bluewater Single-Flow faucet	All models	1
56	919240946	Bluewater Single-Flow faucet with LED	All models	1
56	919240947	Bluewater Tri-Flow faucet	All models	1
57	155007501-SP	By-pass kit	All models	1
66	150736500-SP	Quick connector tap 7/16" to hose 3/8"	Suitable to tap with 7/16" thread	5

CONSUMABLES

Pos	Consumable no.	Description	Reference	Units in box (pcs)
40	919240002	Sediment filter, PRO400 series, single pack	Pro 400 series	1
40	919240012	Sediment filter, PRO400 series, pack of 20	Pro 400 series	20
40	919240022	Sediment filter, PRO400 series, pack of 64	Pro 400 series	64
41	919240003	Carbon filter, granulated, PRO400 series, single pack	Pro 400 series	1
41	919240013	Carbon filter, granulated, PRO400 series, pack of 20	Pro 400 series	20
41	919240023	Carbon filter, granulated, PRO400 series, pack of 64	Pro 400 series	64
42	919240005	Carbon block filter, PRO600 series, single pack	Pro 600 series	1
42	919240015	Carbon block filter, PRO600 series, pack of 20	Pro 600 series	20
42	919240025	Carbon block filter, PRO600 series, pack of 60	Pro 600 series	60
-	150721701-SP	Grease, for o-rings, 10 grams	All models	1
-	150711600-SP	Sealing Tape, roll, 33 m x 50 mm	All models	5
-	150720602-SP	Preservative anti-freeze, 1 liter bottle	All models	1
-	150720606-SP	Preservative anti-freeze, 1 liter bottle, 6 bottles	All models	6
-	150720701-SP	Descaling agent, 200 grams	All models	1
-	150720720-SP	Descaling agent, 200 grams, 20 packages	All models	30

KITS

Pos 200	155030800-SP	Driving system kit, Pro-series, from 2009 serial no 91300000	Kit (pcs)
-	150701670	Pulley pump	1
-	150701901	Retaining ring SGA 7825	1
-	150708300	Belt	1
-	150729900	Belt protector	1
-	155008601	Pulley motor	1
Pos 200	155030900-SP	Driving system kit, Pro-series, from 2009 serial no 91300000, for US only	Kit (pcs)
-	150701670	Pulley pump	1
-	150701901	Retaining ring SGA 7825	1
-	150708300	Belt	1
-	150729900	Belt protector	1
-	155023000	Pulley motor (US)	1
Pos 202	155026900-SP	O-ring and gasket kit, Pro series	Kit (pcs)
-	150707002	O-ring, 6.1x1.6 (2 pcs on plug in plastic gable pump)	10
-	150707005	O-ring, 14.1x1.6 (2 pcs on stem on plastic gable pump)	10
-	150707010	O-ring, 19.2x3.0	20
-	150707012	O-ring, 169.3x5.7	5
-	150707009	O-ring, 11.3x2.4	20
-	155010101	Gasket, for nut inlet hose 3/4"	10
Pos 204	155027100-SP	Fixtures, Pro series	Kit (pcs)
-	150704001	Spring, support membrane, PRO series	2
-	150704800	Bracket for valve, PRO series	5
-	150701000	Locking ring, PRO series	6
-	150723700	Insulation ring, pump head, PRO series	5
-	150701901	Retaining ring, pump, PRO series	10
-	150714400	Locking piece, PRO series	6
-	150712200	Snap-in, holder PCB	10
-	150722700	Retaining spring, filter lid, PRO series	10
Pos 206	155054700-SP	Quick connector kit, Pro series	Kit (pcs)
-	150721400	Quick connector, straight, 1/4"	2
-	50-015-1301	Quick connector, elbow, stem 1/4" to 1/4"	2
-	150705600	Adaptor, stem 3/8" to male G3/8"	2
-	150717800	Quick connector, equal tee, 3/8"	5
Pos 207	155054800-SP	Quick connector kit CV unique, Pro series	Kit (pcs)
-	155033200	Quick connector tap G3/4" to 3/8"	1
-	155033300	Bulkhead quick connector 3/8"	1
-	155039100	Quick connector, elbow, stem 3/8" to 3/8"	5

ORDER

It is important to assure that you have the correct product number and have identified the correct spare part in the list above. More information can be found in our service video on www.bluewatergroup.com or on www.youtube.com/BluewaterPure

Place your order on orders@bluewatergroup.com. Should you have additional questions, you're always welcome to contact us by phone.

DISCLAIMER

Bluewater water purification products should ideally be installed and maintained by qualified service professionals. Installing or maintaining Bluewater products without appropriate training may lead to serious property damage, personal injury, or death. We would therefore discourage independent installation or repairs. However, if you intend to perform repairs yourself, please always use original spare parts. The information and instructions provided by Bluewater are intended for use by Bluewater authorized service technicians and other qualified professionals.

	Bluewater global website www.bluewatergroup.com		Bluewater China website
---	--	--	-------------------------

Bluewater is a world leading water purification company. Headquartered in Stockholm, Sweden, the company helps people and businesses globally enjoy the health and wellbeing benefits of cleaner, healthier tap water. Bluewater innovates, makes and sells compact water purifiers that harness the company's patented reverse osmosis technology to remove virtually all pollutants from tap water, including lead, bacteria, pesticides, medical residues, chlorine and lime-scale.

Please visit us at bluewatergroup.com



BLUEWATER

Engelsbrectsgatan 14
SE-114 32 Stockholm
Sweden

E: info@bluewatergroup.com

bluewatergroup.com

